



UTK 8.10 8.10 V2A (459 029)

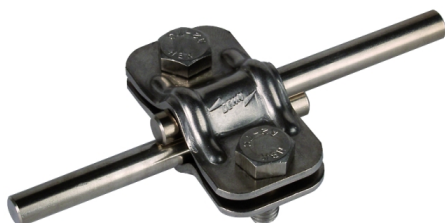
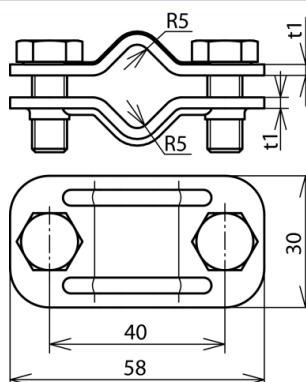


Figure without obligation



Part No.	459 029
Material	StSt
Clamping range Rd / Rd	8-10 / 8-10 mm
Screw	⚙ M8x20 mm
Material of screw	StSt
Distance of screws	40 mm
Material thickness (t1)	2.5 mm
Standard	EN 50164-1
Weight	87 g
Customs tariff number	85389099
GTIN	4013364047587
PU	50 pc(s)

We reserve the right to introduce changes in performance, configuration and technology, dimensions, weights and materials in the course of technical progress. The figures are shown without obligation.