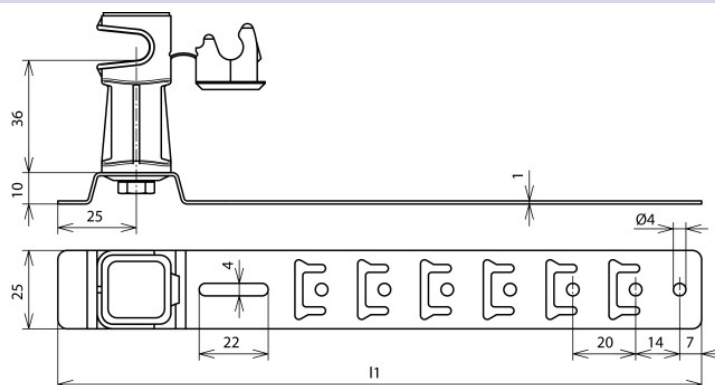


DLH US 8 H36 L335 BR GALCU (204 187)



Figure without obligation



Part No.	204 187
Material of roof conductor holder	Cu
Length of brace (l1)	335 mm
Height of conductor holder	36 mm
Material of conductor holder	plastic
Colour of conductor holder	brown
Conductor holder support Rd	8 mm
Type of conductor holder	DEHNsnap
Conductor leading	loose
Brace type	with preformed bending points
Fixing possibilities	hook locking, angling, nailing
Type of roofing	pantiled roofs
Female thread	M6
Weight	91 g
Customs tariff number	85389099
GTIN	4013364042582
PU	50 pc(s)

We reserve the right to introduce changes in performance, configuration and technology, dimensions, weights and materials in the course of technical progress. The figures are shown without obligation.