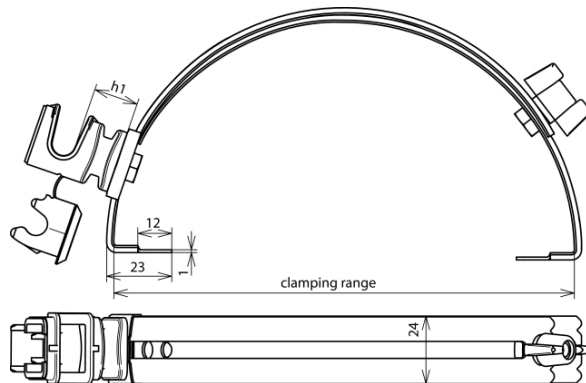


**DLH DS 8 H36 FG180.280BR GALCU (204 127)**



Figure without obligation



| Part No.                          | 204 127  |
|-----------------------------------|--|
| Material of roof conductor holder | Cu   |
| Clamping range                    | 180-280 mm                                       |
| Height of conductor holder (h1)   | 36 mm  |
| Material of conductor holder      | plastic  |
| Colour of conductor holder        | brown  |
| Conductor holder support Rd       | 8 mm   |
| Length of supporting claw         | 23 mm  |
| Type of conductor holder          | DEHNSnap   |
| Conductor leading                 | loose  |
| Application notes                 | conductor leading (support) laterally adjustable |
| Female thread                     | M6   |
| Weight                            | 110 g  |
| Customs tariff number             | 85389099   |
| GTIN                              | 4013364028142                                    |
| PU                                | 25 pc(s)   |

We reserve the right to introduce changes in performance, configuration and technology, dimensions, weights and materials in the course of technical progress. The figures are shown without obligation.