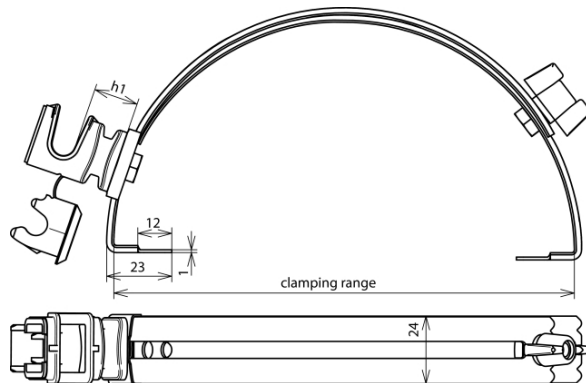


**DLH DS 8 H36 FG180.280 GR V2A (204 129)**



Figure without obligation



Part No.	204 129
Material of roof conductor holder	StSt
Clamping range	180-280 mm
Height of conductor holder (h1)	36 mm
Material of conductor holder	plastic
Colour of conductor holder	grey
Conductor holder support Rd	8 mm
Length of supporting claw	23 mm
Type of conductor holder	DEHNsnap
Conductor leading	loose
Application notes	conductor leading (support) laterally adjustable
Female thread	M6
Weight	102 g
Customs tariff number	85389099
GTIN	4013364021433
PU	25 pc(s)

We reserve the right to introduce changes in performance, configuration and technology, dimensions, weights and materials in the course of technical progress. The figures are shown without obligation.